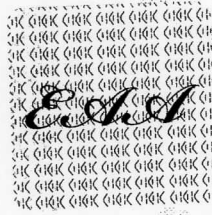


# EAA

COPY

## Certificate of export inspection



# EAA Company Limited

No.: \_\_\_\_\_  
 Date of Issue: 2017/01/30  
 Date of Appraisal: 2017/01/26

We hereby certify that the undermentioned motor vehicle was inspected by the EAA Company Limited and found to conform to the requirements of  
**STANDARDS**

Make	<u>TOYOTA</u>	Model	<u>UA-ACA21W</u>
Type of Vehicle			<u>Wagon</u>
Engine Capacity(c.c.rating)			<u>1,990 CC</u>
Year of First Registration			<u>2003/11</u>
Chassis Number			<u>ACA21-</u>
Engine Number or Model			<u>1AZ</u>
Inspected Mileage(Odometer Reading)			<u>_____ km</u>
Inspected Date			<u>2017/01/26</u>

Remarks: We hereby certify that this motor vehicle does not exceed the radiation threshold level.

Note 1: No responsibility can be taken for alteration made to vehicle after this inspection.  
 Note 2: No responsibility can be assumed by this institute for any disputes, reparations, etc. caused by transaction involving the certified used motor vehicle as abovementioned.

EAA Company Limited

Kanagawa



Director of Inspection Dept \_\_\_\_\_

Inspection fee  
NO





COPY

S/No. \_\_\_\_\_

【Vehicle Details】

Chassis No : ACA21- Model : UA-ACA21W Engine Model : 1AZ  
 Maker : TOYOTA 1st Registration Year : 2003/11 Engine No : \_\_\_\_\_  
 Model Name : \_\_\_\_\_ Manufacture Year : \_\_\_\_\_ Weight : 1350 Kg  
 Engine Capacity : 1990 cc Type of Vehicle : Wagon FF Axis Weight : 800 Kg  
 Body Color : Gray Mileage(Paper) : \_\_\_\_\_ Km FR Axis Weight : \_\_\_\_\_ Kg  
 Fuel Type : GASOLINE Odometer : \_\_\_\_\_ Km RF Axis Weight : \_\_\_\_\_ Kg  
 RR Axis Weight : 550 Kg

【Inspection Details】

Location : Kobe Inspector : \_\_\_\_\_

【Test Drive】

	Pass/Fail	【Exhaust】	Pass/Fail	【Headlights】	Pass/Fail
Abnormal at Acceleration	<input checked="" type="checkbox"/>	CO <u>0.01</u> %	<input checked="" type="checkbox"/>	Luminance R <u>270</u> x100cd	<input checked="" type="checkbox"/>
Abnormal at Brake Test	<input checked="" type="checkbox"/>	HC <u>9</u> ppm	<input checked="" type="checkbox"/>	L <u>270</u> x100cd	<input checked="" type="checkbox"/>
		DS _____ %/m-1	<input checked="" type="checkbox"/>	Attachment R _____ cm	<input checked="" type="checkbox"/>
				(Height) L _____ cm	<input checked="" type="checkbox"/>
				Optical Axis R _____ cm	<input checked="" type="checkbox"/>
				(Under) L _____ cm	<input checked="" type="checkbox"/>
				Optical Axis R _____ cm	<input checked="" type="checkbox"/>
				(RL) L _____ cm	<input checked="" type="checkbox"/>

【Side Slip】

$\mu$  / OUT 0.8 mm

【Speedometer】

Difference 0.8 km/h   
Run-out 0 km/h

【Brake System】

FL	FR	Sum main brake(Weight+55kg)	ML	MR	Sum parking brake(Weight+55kg)	RL	RR	Sum R wheel brake(axis weight)	PL	PR	Pull:Front(Weight+55kg)		Pass/Fail
<u>238</u> kg	<u>261</u> kg	<u>1405</u> x0.5= <u>703</u>	<u>1405</u> x0.2= <u>281</u>	<u>161</u> kg	<u>166</u> kg	<u>550</u> x0.1= <u>55</u>	<u>142</u> kg	<u>144</u> kg	<u>855</u> x0.08= <u>69</u>			< Sum Main brake= <u>826</u>	<input checked="" type="checkbox"/>
												< Sum parking brake= <u>286</u>	<input checked="" type="checkbox"/>
												< Sum R wheel brake= <u>327</u>	<input checked="" type="checkbox"/>
												> Diff b/w R&L axis= <u>23</u>	<input checked="" type="checkbox"/>

【Engine】

	Result
Engine	<input checked="" type="checkbox"/>
Fun belt	<input checked="" type="checkbox"/>
Battery	<input checked="" type="checkbox"/>
Master Cylinder	<input checked="" type="checkbox"/>
Caburetor	<input checked="" type="checkbox"/>
Fuel Pipes	<input checked="" type="checkbox"/>
Injection Pump	<input checked="" type="checkbox"/>
Wiring Haeness	<input checked="" type="checkbox"/>
Generator	<input checked="" type="checkbox"/>
Cooling System	<input checked="" type="checkbox"/>
Manifolds	<input checked="" type="checkbox"/>
Lubrication System	<input checked="" type="checkbox"/>
CFC	<input checked="" type="checkbox"/>

【Equipment】

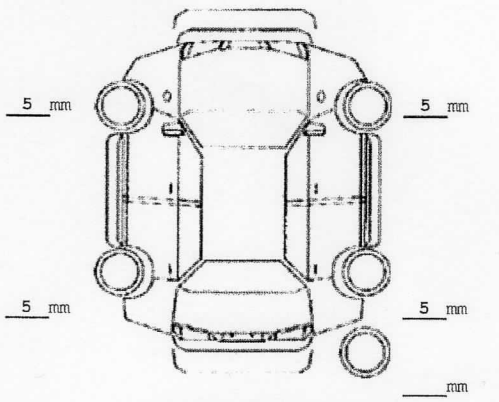
	Result
Tool	<input checked="" type="checkbox"/>
Jack	<input checked="" type="checkbox"/>

【Underbody】

	Result
Wheel Bearing	<input checked="" type="checkbox"/>
Springs	<input checked="" type="checkbox"/>
Shock Absorbers	<input checked="" type="checkbox"/>
Suspension Fixing	<input checked="" type="checkbox"/>
Torque Rod	<input checked="" type="checkbox"/>
Gear Box	<input checked="" type="checkbox"/>
Steering Rod/Arm	<input checked="" type="checkbox"/>
Wheel Cylinder	<input checked="" type="checkbox"/>
Brake Rod/Cable	<input checked="" type="checkbox"/>
Breake Hose/Pipe	<input checked="" type="checkbox"/>
Front axle	<input checked="" type="checkbox"/>
Drive Shaft	<input checked="" type="checkbox"/>
Propeller Shaft	<input checked="" type="checkbox"/>
Axle Housing	<input checked="" type="checkbox"/>
Differential	<input checked="" type="checkbox"/>
Tyre Size	<input checked="" type="checkbox"/>
Tyre Condition	<input checked="" type="checkbox"/>
Tyre ETC	<input checked="" type="checkbox"/>

【Accessory】

	Result	AT/MT:
A/C	<input checked="" type="checkbox"/>	<u>AT</u>
Audio	<input checked="" type="checkbox"/>	
Navigation	<input checked="" type="checkbox"/>	
Alloy Wheel	<input checked="" type="checkbox"/>	

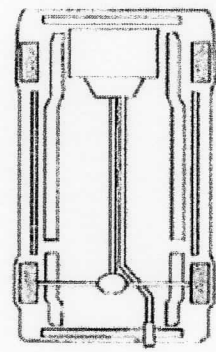


【Interior】

	Result
Steering Wheel	<input checked="" type="checkbox"/>
Power Steering	<input checked="" type="checkbox"/>
Horn	<input checked="" type="checkbox"/>
Gauges	<input checked="" type="checkbox"/>
Climate Control	<input checked="" type="checkbox"/>
Door	<input checked="" type="checkbox"/>
Windows	<input checked="" type="checkbox"/>
Wipers	<input checked="" type="checkbox"/>
Mirrors(Back & Sides)	<input checked="" type="checkbox"/>
Shift Lever	<input checked="" type="checkbox"/>
Safety Belts	<input checked="" type="checkbox"/>
Brake Pedal	<input checked="" type="checkbox"/>
Brake Booster	<input checked="" type="checkbox"/>
Clutch Pedal	<input checked="" type="checkbox"/>
Clutch Function	<input checked="" type="checkbox"/>

【Lights】

	Result
Head lamp	<input checked="" type="checkbox"/>
Indicator	<input checked="" type="checkbox"/>
Rear	<input checked="" type="checkbox"/>
Brake	<input checked="" type="checkbox"/>
ETC	<input checked="" type="checkbox"/>



【ETC】

	Result
Exhaust System	<input checked="" type="checkbox"/>
Air Suspension	<input checked="" type="checkbox"/>
Air Brake	<input checked="" type="checkbox"/>
Fuel Tank	<input checked="" type="checkbox"/>

【Damage】

	Result
Exterior	<input checked="" type="checkbox"/>
Interior	<input checked="" type="checkbox"/>
Underbody	<input checked="" type="checkbox"/>

F=Repair A=Scratch U=Dent R=Rust CR=Crack D=Damage

【Result】

Pass   
Fail \_\_\_\_\_

Inspector Signature \_\_\_\_\_  
Inspection Date 2017-01-26

【Reinspection】

Pass \_\_\_\_\_  
Fail \_\_\_\_\_

Inspector Signature \_\_\_\_\_  
Inspection Date2 \_\_\_\_\_

【Fail Parts】

\_\_\_\_\_